

## SERIES 39 SPST, 150 mA

### FEATURES

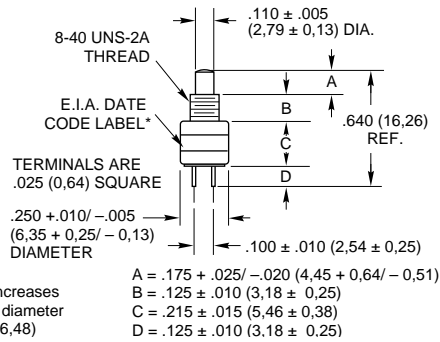
- 1/4" Diameter
- Up to 1,000,000 Cycles of Operation



### DIMENSIONS In Inches (and millimeters)

#### SPST–Normally Open, Without Nut

39-405\*

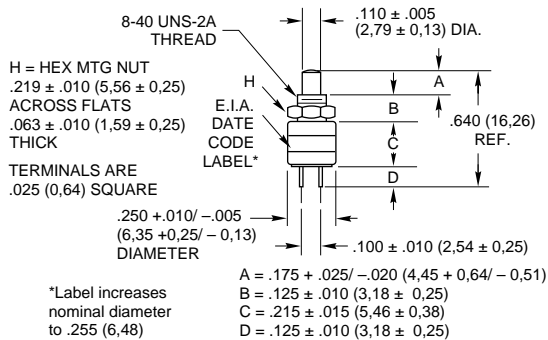


Rating at 28 Vdc Resistive	Operations at Rated Load	*Complete Part Number	Button Color
150 mA	1,000,000	39-405 RED 39-405 BLK	Red Black

Action	Total Travel	Actuating Force (oz.)
Momentary	.035 ± .015 (0,89 ± 0,38)	4+ 4 -2

#### SPST–Normally Open, With Nut

39-401\*

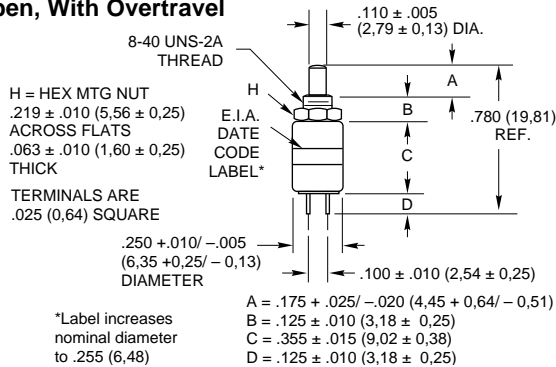


Rating at 28 Vdc Resistive	Operations at Rated Load	*Complete Part Number	Button Color
150 mA	1,000,000	39-401 RED 39-401 BLK	Red Black

Action	Total Travel	Actuating Force (oz.)
Momentary	.035 ± .015 (0,89 ± 0,38)	4+ 4 -2

#### SPST–Normally Open, With Overtravel

39-424\*



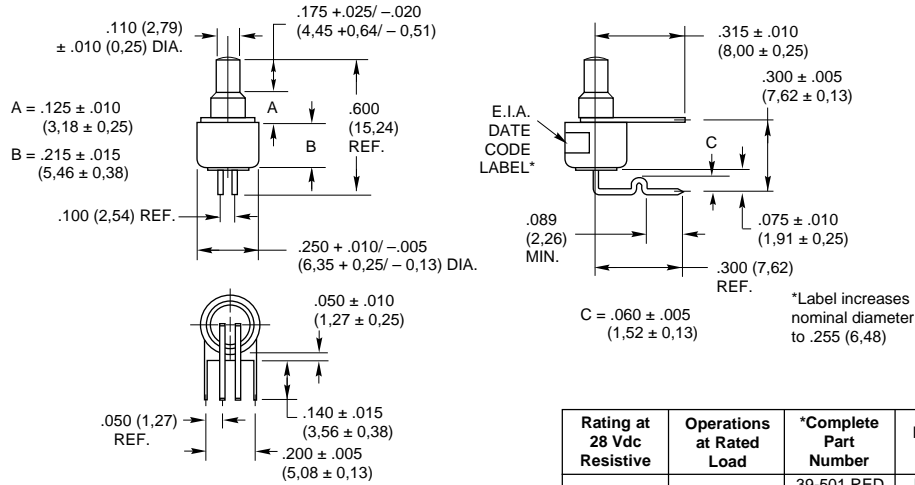
Rating at 28 Vdc Resistive	Operations at Rated Load	*Complete Part Number	Button Color
150 mA	100,000	39-424 RED 39-424 BLK	Red Black

Action	Total Travel	Over Travel	Actuating Force (oz.)
Momentary	.130 ± .025 (3,30 ± 0,64)	.015 (0,38) Min.	5 ± 3

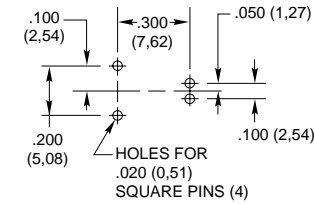
**DIMENSIONS** In Inches (and millimeters)

**Right Angle, SPST–Normally Open**

39-501\*  
39-503\*



**Mounting Footprint**



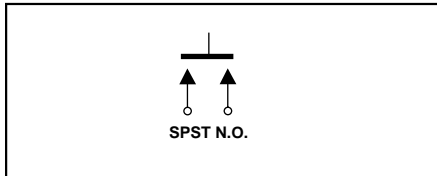
Rating at 28 Vdc Resistive	Operations at Rated Load	*Complete Part Number	Button Color
150 mA	1,000,000	39-501 RED 39-501 BLK 39-503 RED 39-503 BLK	Red Black Red Black

Action	Total Travel	Actuating Force (oz.)
Momentary	.035 ± .015 (0,89 ± 0,38)	4 + 4 - 2

Protective cap (included with 39-503 RED and 39-503 BLK) seals switch during wave soldering.

Pushbutton Switches

**CIRCUITRY**



**ACCESSORIES**

SHH1699  
30B1012-5  
30B1012-8  
30B1012-9  
See page D-34 for dimensions.

**SPECIFICATIONS**

**Rating Criteria**

**Contact Resistance:** 25 milliohms maximum on a new switch  
**Voltage Breakdown:** 1,000 Vac between mutually insulated parts  
**Insulation Resistance:** 1,000 megohms minimum  
**Operating Temperature:** -40°C to +85°C

**Materials and Finishes**

**Bushing/Housing:** Brass, cadmium-plated.  
**Standoff:** (39-501 and 39-503) Brass, cadmium-plated  
**Base and Button:** Thermoplastic  
**Shorting Bar:** Brass, gold-plated over nickel plate for 39-501 and 39-503; fine silver, gold-plated for others  
**Terminals:** Brass, gold-plated over nickel  
**Spring:** Tinned music wire  
**Mounting Nut:** (39-402 and 39-424) Brass, cadmium-plated

**ORDERING INFORMATION**

Part No.	Type & Button Color
39-401 RED	N.O., Red
39-401 BLK	N.O., Black
39-405 RED	N.O., No Nut, Red
39-405 BLK	N.O., No Nut, Black
39-424 RED	N.O., Overtravel, Red
39-424 BLK	N.O., Overtravel, Black
39-501 RED	N.O., Right Angle, Red
39-501 BLK	N.O., Right Angle, Black
39-503 RED	39-501 Red & Cap Seal
39-503 BLK	39-501 Blk & Cap Seal

Accessory Part Number	Description
30B1012-5	Red Accessory Cap
30B1012-8	White Accessory Cap
30B1012-9	Black Accessory Cap
SHH1699	Cap Seal Only, Black

Accessory cap may be used with all switches shown.

**Available from your local Grayhill Distributor.**  
 For prices and discounts, contact a local Sales Office In CHINA(Beijing): Phone:(010)6851-9097