

## SERIES 38BM AND 38BC

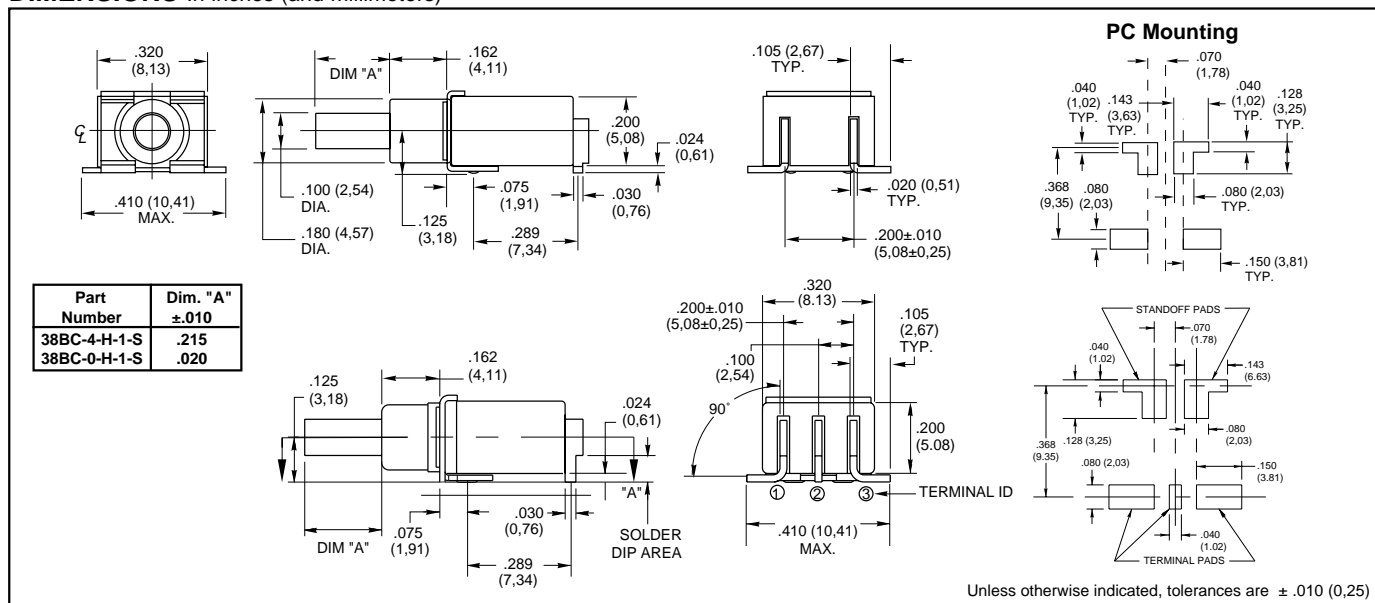
### Miniature Surface Mount

#### FEATURES

- Surface Mount Process Compatible
- Sealed Construction
- Terminal Solder Coat
- SPST and SPDT, Momentary Contact
- Extended or Flush Plunger
- Drop-In Replacement for Industry Standard



#### DIMENSIONS In inches (and millimeters)



Pushbutton Switches

#### SPECIFICATIONS

##### Rating Criteria

**Operating Life:** 80,000 make-and-break cycles at full load

##### Contact Rating (resistive load):

**Gold Contacts:** 0.4 VA maximum at 20 Vac or Vdc maximum

**Contact Resistance:** Below 20 milliohms typical initial at 2-4 Vdc, 100 mA

**Insulation Resistance:** 1000 megohms min.

**Voltage Breakdown:** 1000 Vrms minimum at sea level

**Operating Temperature:** -30°C to +85°C

**Solderability:** Per MIL-STD-202F, Method 208D, or EIA RS-186E Method 9 (1 hour steam aging)

##### Materials and Finishes

**Base and Cover:** Thermoplastic (UL 94V-0)

**Plunger:** Thermoplastic (UL 94V-0), with standard internal o-ring seal

**Terminals:** Copper alloy, solder plate over nickel plate, solder-coated

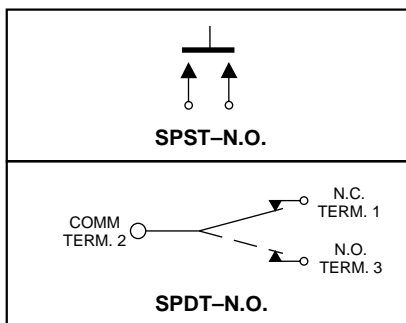
**Spring:** Plated Music Wire

**Contact System:** Copper alloy, gold plate over nickel plate, solder-coated

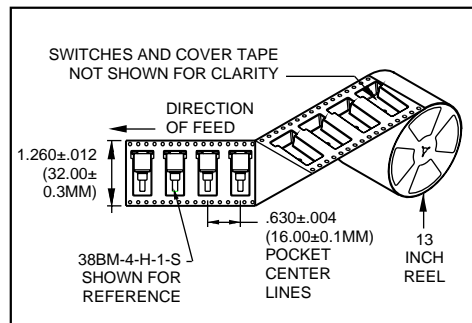
**Switch Support:** Brass, tin-plated

**Available from your local Grayhill Distributor.**  
For prices and discounts, contact a local Sales Office.

#### CIRCUITRY



#### TAPE AND REEL PACKAGING



#### ORDERING INFORMATION

**38BX-0-H-1-S**

**Series:** 38BM =SPST, Momentary, Surface Mount  
38BC =SPDT, Momentary, Surface Mount

**Plunger Length:**  
0 = 0.020" 4 = 0.215"

Part Number Tape and Reel	Part Number Switch	No./Reel
38BM0-550	38BM-0-H-1-S	550
38BM1-550	38BM-4-H-1-S	550
38BC0-550	38BC-0-H-1-S	550
38BC1-550	38BC-4-H-1-S	550

**Seal:** S = O-Ring Seal

**Contact Material:**  
1 = Gold

**Orientation:**  
H = Horizontal to PCB