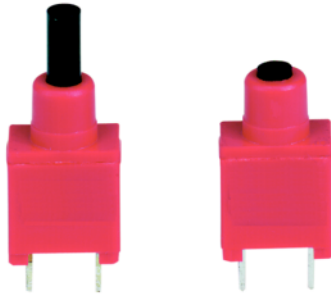


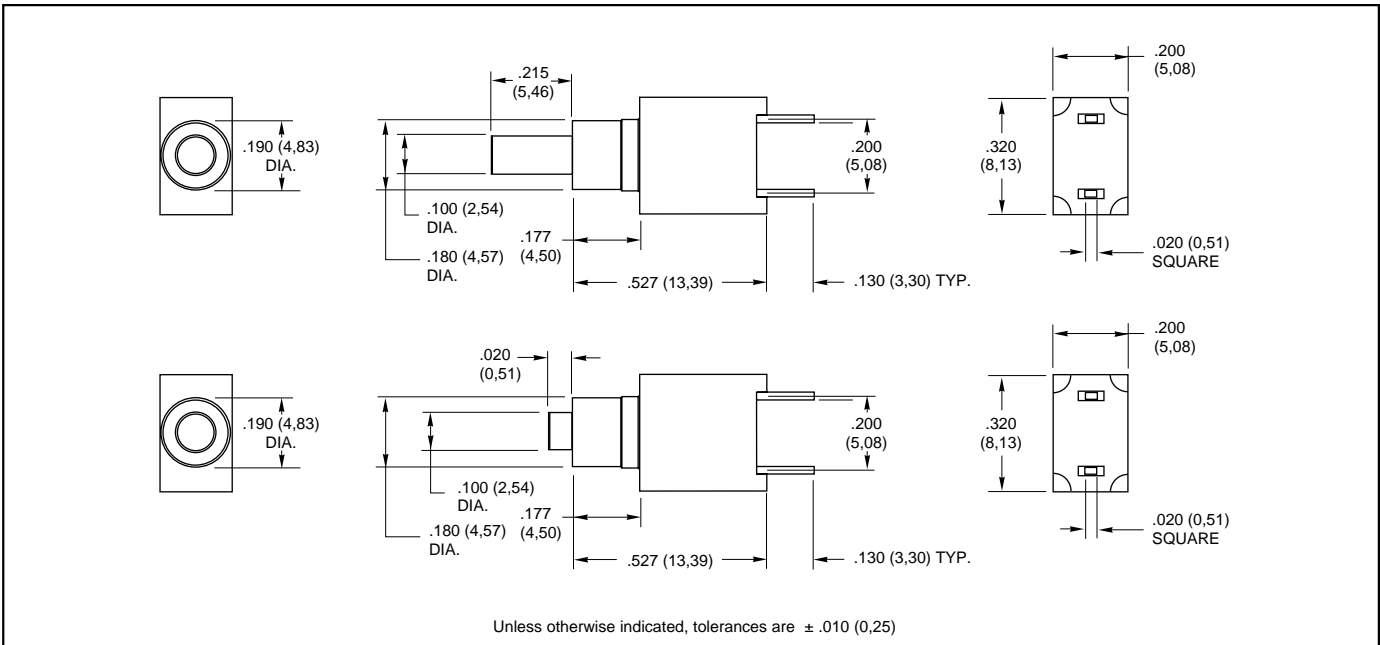
SERIES 38BT Miniature Vertical PC Mount

FEATURES

- Actuates at Right Angle to Printed Circuit Board
- Drop-In Replacement for Industry Standard
- SPST, Momentary Contact
- Sealed Plunger Option



DIMENSIONS In inches (and millimeters)



Pushbutton Switches

SPECIFICATIONS

Electrical Ratings

Operating Life: 80,000 make-and-break cycles at full load

Contact Rating (resistive load):

Gold Contacts: 0.4 VA maximum at 20 Vac or Vdc

Silver Contacts: 1.0 Amp maximum at 120 Vac or 28 Vdc

Contact Resistance: Below 20 milliohms typical initial at 2-4 Vdc, 100 mA, for both silver and gold-plated contacts

Insulation Resistance: 1000 megaohms minimum

Voltage Breakdown: 1000 Vrms minimum at sea level

Operating Temperature: -30°C. to +85°C.

Solderability: Per MIL-STD-202F, Method 208D, or EIA RS-186E, Method 9 (1 hour steam aging)

Materials and Finishes

Base and Cover: Thermoplastic (UL 94V-0)

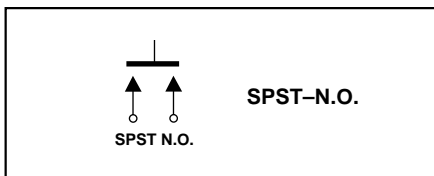
Plunger: Thermoplastic (UL 94V-0), (S versions include an internal o-ring seal)

Terminals: Copper alloy, solder plate over nickel plate, solder plate

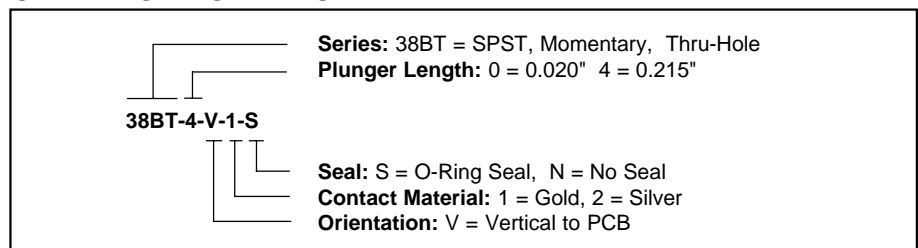
Spring: Plated music wire

Contact System: Copper alloy, gold or silver plate (as specified) over nickel plate

CIRCUITRY



ORDERING INFORMATION



Available from your local Grayhill Distributor. For prices and discounts, contact a local Sales Office In CHINA(Beijing): Phone:(010)6851-9097,Fax: (010)6851-5578.