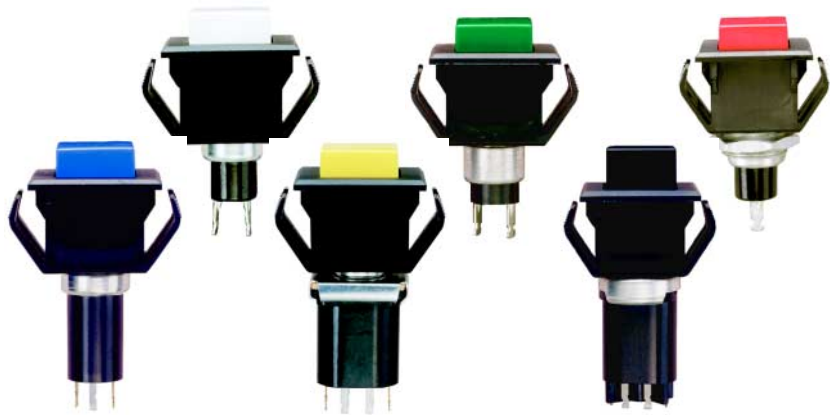


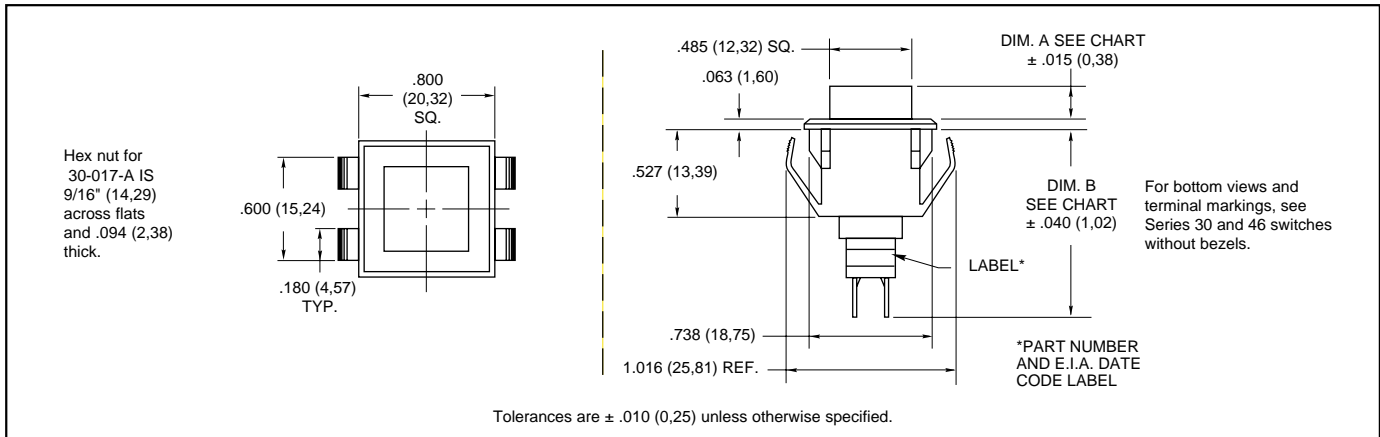
SERIES 30 and 46 Snap-in Panel Mount

FEATURES

- Sleek Black Matte Bezel
- Convenient Snap-In Front Mount
- Choice of 6 Button Colors
- SPST, SPDT or DPDT Circuitry
- Alternate Action, Positive Feel and Overtravel Versions
- Printed Button Option

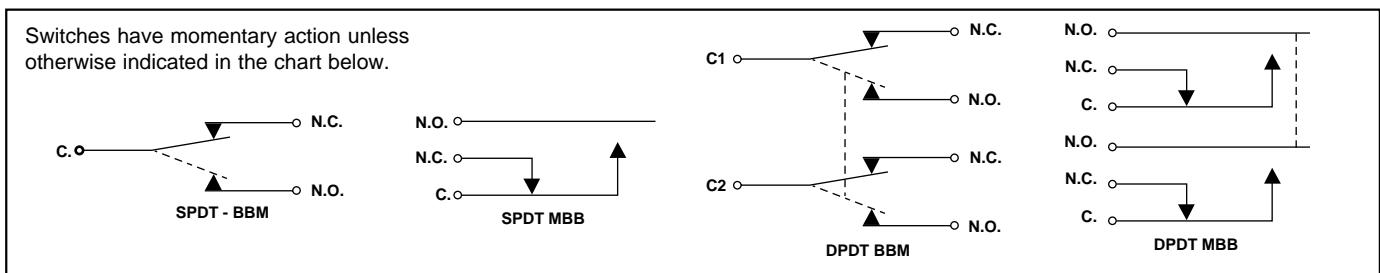


DIMENSIONS In Inches (and millimeters)



Pushbutton Switches

CIRCUITRY



ADDITIONAL DIMENSIONS AND PART NUMBERS

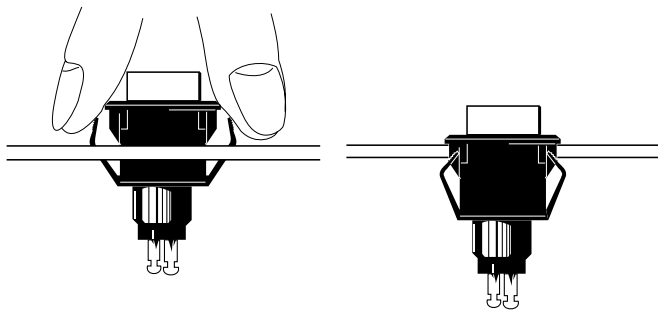
Circuitry and Features	Dim. A: Button Height (± .015)	Dim. B: Behind Panel Length (± .040)	Total Travel	Actuating Force	Partial Part No.*
Butt Contact Switches - Series 30					
SPST-N.O.	.205 (5,21)	1.119 (28,42)	.062 ± .010 (1,57 ± 0,25)	10 ± 4 oz.	30-001-A-*
SPST-N.O., Overtravel	.205 (5,21)	1.204 (30,58)	.125 ± .020 (3,18 ± 0,51)	8 ± 4 oz.	30-015-A-*
SPST-N.O., Overtravel & Positive Feel	Adjustable**	Adjustable**	.156 ± .015 (3,96 ± 0,38)	18 ± 4 oz.	30-017-A-*
SPST-N.O., Economical	.205 (5,21)	1.119 (28,42)	.062 ± .010 (1,57 ± 0,25)	10 ± 4 oz.	30-601-A-*
SPST-N.C.	.205 (5,21)	1.132 (28,75)	.065 ± .015 (1,65 ± 0,38)	8 ± 4 oz.	30-002-A-*
Wiping Contact Switches - Series 46					
SPDT, BBM	.205 (5,21)	1.417 (35,99)	.180 (4,57) min.	1.1 ± .25 lbs.	46-102-A-*
SPDT, MBB	.205 (5,21)	1.417 (35,99)	.180 (4,57) min.	1.1 ± .25 lbs.	46-111-A-*
SPDT, BBM, Alternate Action	.293 (7,44)	1.448 (36,78)	.180 (4,57) min.	1.5 ± .25 lbs.	46-502-A-*
DPDT, BBM	.205 (5,21)	1.448 (36,78)	.180 (4,57) min.	2.2 ± .5 lbs.	46-200-A-*
DPDT, MBB	.205 (5,21)	1.448 (36,78)	.180 (4,57) min.	2.2 ± .5 lbs.	46-201-A-*
DPDT, BBM, Alternate Action	.293 (7,44)	1.448 (36,78)	.180 (4,57) min.	1.8 ± .5 lbs.	46-402-A-*

*Partial part number, complete part number by adding a dash for button color: white -01; red -03; green -04; blue -05; yellow -06 or black -07, see Ordering Information.

**Adjustable from Dim. A .170 (4,32) minimum, Dim. B 1.285 (32,64) maximum to Dim. A .290 (7,37) maximum, Dim. B 1.165 (29,59) minimum with hex nut below bezel.

MOUNTING

Easy Snap-In Mounting



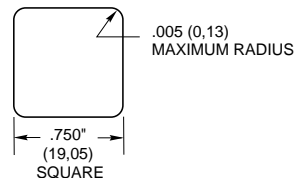
Just snap into pre-cut panel hole.

Plastic wings lock switch in place.

PANEL CUTOUT

Recommended Panel Cut

Switch will fit panels .049" (1,24) to .125" (3,18) thick. Recommended panel thickness is 18 gauge.



SPECIFICATIONS

Life Limiting Criteria—Series 30 & 46

Contact Resistance: Less than 25 milliohms on a new switch

Voltage Breakdown: 1,000 Vac between mutually insulated parts

Insulation Resistance: 1,000 megohms minimum

Ratings—Series 30

Current Rating:

30-601 150 mA, 5 Vdc resistive and 20 mA, 20 Vdc resistive

All others 1 A, 115 Vac resistive, or 0.5 A, 220 Vac resistive

Life Expectancy:

30-015 500,000 operations

30-017 200,000 operations

All others 1,000,000 operations

Ratings—Series 46

Current Rating: 250 mA, 115 Vac resistive or 125 mA, 220 Vac resistive

Life Expectancy: 250,000 operations

Materials and Finishes—Series 30

Bezel: Nylon

Button Cap: ABS plastic

Switch Bushing: Brass, cadmium-plated

Base: Thermoset plastic

Spring: Tinned music wire

Plunger: Polycarbonate

Shorting Bar:

30-601 Brass, gold-plated over nickel

All Others Brass with fine silver contact area

Base Contacts:

30-601 Brass, gold-plated over nickel

30-002 Brass with fine silver contact area

All Others Bronze with fine silver contact area

Terminals:

30-002 Brass, silver-plated

30-601 Bronze, gold-plated over nickel

All Others Bronze, silver-plated

Nut: Provided only on 30-017; allows button height adjustment. Brass, cadmium-plated.

Materials and Finishes—Series 46

Bezel: Nylon

Button Cap: ABS plastic

Switch Bushing: Brass, cadmium-plated.

Base: Thermoset plastic

Spring: Tinned music wire

Plunger: 46-402/502 Nickel-plated brass

All Others Polycarbonate

Shorting Bar: Phosphor bronze, silver-plated

Base Contacts: Phosphor bronze with silver contact area

Terminals: Phosphor bronze, solder clad

Covers (46-200/201): Brass, cadmium-plated

STANDARD OPTIONS

Epoxy-sealed terminals and wire leads, see page D-32.

LEGENGING OPTION

Contact Grayhill

A button legend can be printed in epoxy ink which bonds to the surface of the button cap. Any type style or design which can be photographed can be used to produce the legend.

There is a per-button printing charge. A nominal set up charge per legend applies to orders of 1 to 99 pieces. Non-standard legends are subject to one time artwork and tooling charges. Consult Office In CHINA(Beijing): Phone:(010)6851-9097.

ORDERING INFORMATION

Use the partial part number you have selected from the Dimensions and Part Number chart, and add the button color suffix. Example:

Color: 01, 03, 04, 05, 06, 07
46-200-A-03

01 = White 03 = Red 04 = Green
 05 = Blue 06 = Yellow 07 = Black