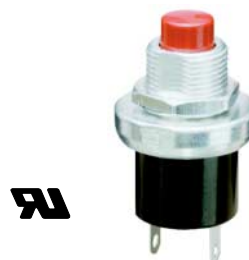


**SERIES 10**  
**SERIES 4000**  
**SPST, 1 and 3 Amp**

**FEATURES**

- Momentary or Momentary With Positive Feel
- UL Recognized at 3 Amps



**DIMENSIONS** In Inches (and millimeters)

4001(UL)  
10-09 (UL)  
10-100  
4002 (UL)  
10-10 (UL)  
10-101

A = N.O. 1.500 (38,1) REF.  
N.C. 1.490 (37,8) REF.  
B = N.O. .160 ± .015 (4,06 ± 0,38)  
N.C. .150 ± .015 (3,81 ± 0,38)  
C = .375 ± .010 (9,53 ± 0,25)  
D = .668 ± .015 (16,97 ± 0,38)  
E = .297 ± .020 (7,54 ± 0,51)

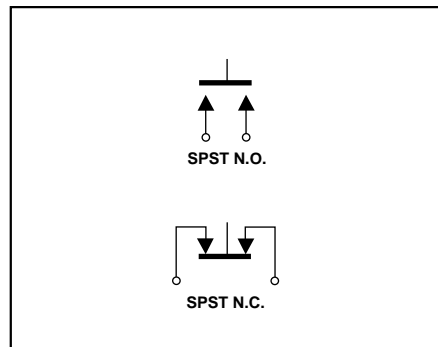
\*PART NUMBER AND E.I.A. DATE CODE LABEL

Dimension across bushing flats is .406 ± .010 (10,31 ± 0,25).

The inside distance between terminals is .359 (9,12) at the switch base.

Action	Part No.	Circuitry	Oper. at Rated Load	Rating at 115 Vac Resistive	Rating at 220 Vac Resistive	Actuating Force
Momentary	4001 10-09	SPST-N.O.	100,000	1 Amp	1/2 Amp	22 oz. ± 8
Momentary	4002 10-10	SPST-N.C.	100,000	1 Amp	1/2 Amp	23 oz. ± 7
Pos. Feel	10-100	SPST-N.O.	100,000	1 Amp	1/2 Amp	35 oz. ± 8
Pos. Feel	10-101	SPST-N.C.	100,000	1 Amp	1/2 Amp	35 oz. ± 10
<b>Underwriters Laboratory Recognized</b>						
Momentary	4001 UL 10-09 UL	SPST-N.O.	6,000	3 Amp	—	22 oz. ± 8
Momentary	4002 UL 10-10 UL	SPST-N.C.	6,000	3 Amp	—	23 oz. ± 7

**CIRCUITRY**



**ACCESSORIES**

**Decorative Mounting Nut**  
Part No. 07C1040-1

**Button Guard**  
Part No. 10C1015-1

For dimensions, materials and additional accessories, see page D-34.

**SPECIFICATIONS**

**Rating Criteria**

**Rated:** See chart above  
**Contact Resistance:** 25 milliohms or less on a new switch  
**Voltage Breakdown:** 1,000 Vac between mutually insulated parts  
**Insulation Resistance:** 1,000 megohms minimum

**Additional Characteristics**

**Total Travel:** Normally open .140 ± .032 (3,56 ± 0,81). Normally closed .110 ± .010/ - .020 (2,79 + 0,25/ - 0,51).  
**Overtravel:** Normally open .020 (0,51) minimum  
**Pretravel:** Normally closed .010 (0,25) minimum  
**Operating Temperature:** -40°C to +85°C  
**UL Recognition:** See chart above for rating. UL file number is 35289.

**Materials and Finishes**

**Mounting Nut:** Brass, cadmium-plated  
**Mounting Bushing and Cover:** Zinc, cadmium-plated  
**Button and Base:** Thermoset plastic  
**Shorting Bar:** Brass, silver-plated  
**Spring:** Tinned music wire  
**Contact Terminals:** Beryllium copper, silver-plated .0003" to .0005"

**STANDARD OPTIONS**

Epoxy sealed terminals are not available through distributors.

For terminals bent at 90°, contact Grayhill.

**ORDERING INFORMATION**

Description & Button Color	Part No.
SPST, N.O., Red	<b>4001</b>
SPST, N.O., Black	<b>10-09</b>
SPST, N.O., UL, Red	<b>4001UL</b>
SPST, N.O., UL, Black	<b>10-09 UL</b>
SPST, N.O., Positive Feel, Red	<b>10-100</b>
SPST, N.C., Positive Feel, Black	<b>10-101</b>
SPST, N.C., Red	<b>10-10</b>
SPST, N.C., Black	<b>4002</b>
SPST, N.C., UL, Red	<b>10-10 UL</b>
SPST, N.C., UL Black	<b>4002 UL</b>
Accessory Nut	<b>07C1040-1</b>
Accessory Button Guard	<b>10C1015-1</b>

**Available from your local Grayhill Distributor.**  
 For prices and discounts, contact a local Sales Office In CHINA(Beijing): Fax: (010)6851-5578

Pushbutton Switches