

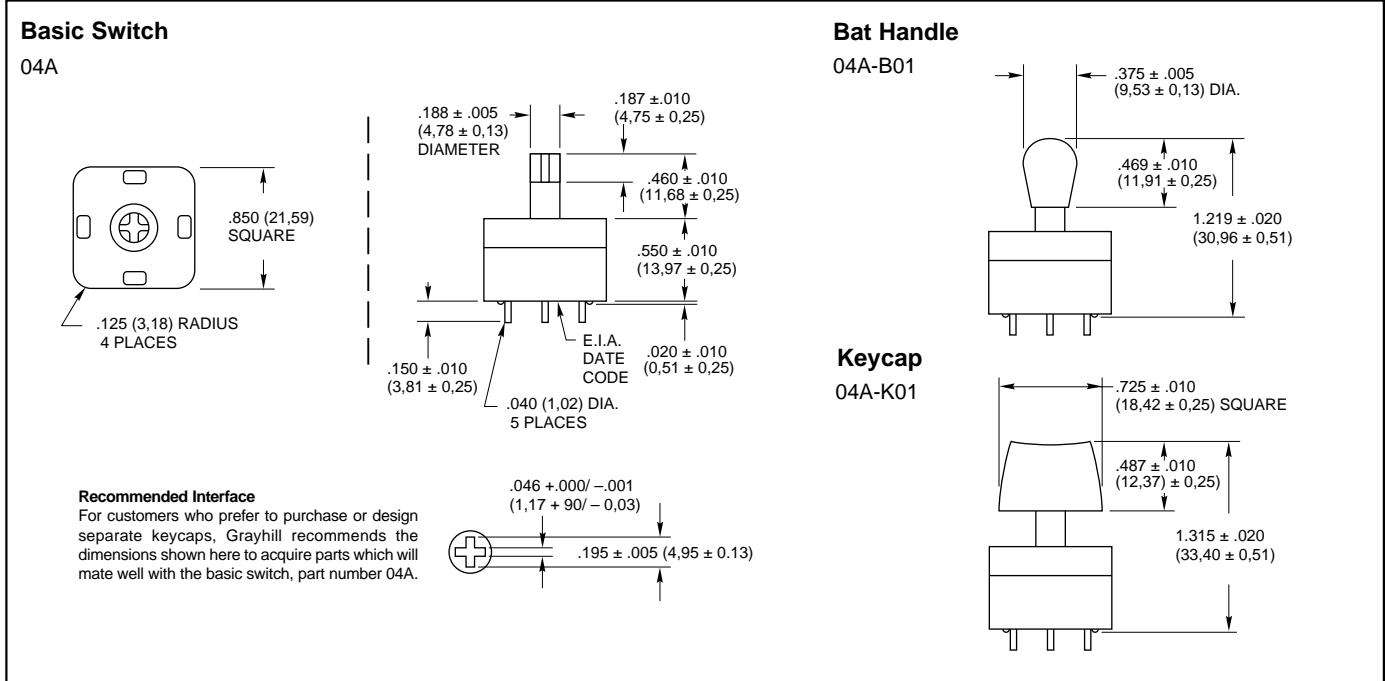
**SERIES 04**  
**4PST**

**FEATURES**

- Joy Stick Action
- Position Locator On CRT Screens
- Moves Cursor On Menu Display



**DIMENSIONS** In Inches (and millimeters)



Pushbutton Switches

**SPECIFICATIONS**

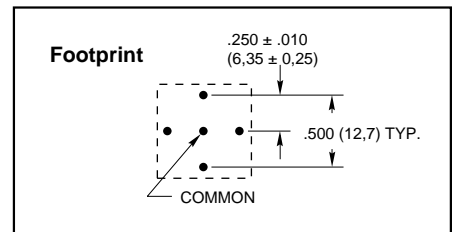
**Rating Criteria**

- Rated:** Make and break 250 mA at 115 Vac or 125 mA at 220 Vac resistive load for 500,000 operations
- Contact Resistance:** 25 milliohms maximum on a new switch
- Insulation Resistance:** 1,000 megohms at 100 Vdc
- Dielectric Strength:** 500 Vac RMS minimum
- Operating Temperature:** -40°C to +85°C

**Materials and Finishes**

- Base, Cover and Switch Actuator:** Polyester (Black)
- Terminals:** Brass, gold-plated over nickel
- Shorting Bar:** Phosphor bronze, gold-plated over nickel
- Spring:** Tinned music wire
- Keycap:** ABS or equivalent
- Bat-Handle:** ABS

**CIRCUITRY**



**ORDERING INFORMATION**

Description	Part No.
Basic Switch	<b>04A</b>
Switch with Arrowhead Keycap	<b>04A-K01</b>
Switch with Bat-Handle	<b>04A-B01*</b>

\*Shipped with bat handle permanently attached.

**Available from your local Grayhill Distributor.**  
For prices and discounts, contact a local Sales Office In CHINA (Beijing): Phone: (010)6851-9097