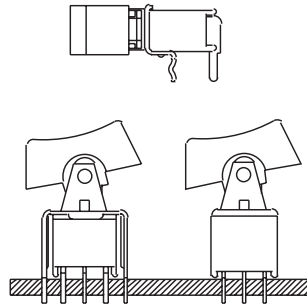


SERIES 47D

Sealed Sub-Miniature Rocker Switches

FEATURES

- Save Space and Weight
- SPDT and DPDT Circuitry
- Choice of Actuators and Terminations



MODELS In inches (and millimeters)

SPDT

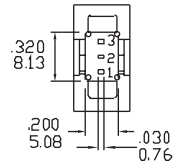
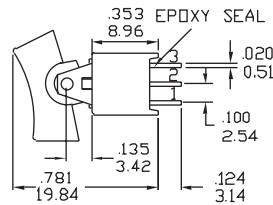


Model No.	Switching Position		
WMSP1	ON	NONE	ON
WMSP2	ON	NONE	(ON)
WMSP3	ON	OFF	ON
WMSP4	(ON)	OFF	(ON)
WMSP5	ON	OFF	(ON)
Term. Comm.	2-3	OPEN	2-1

Schematic

() = Momentary

02Comm.



DPDT

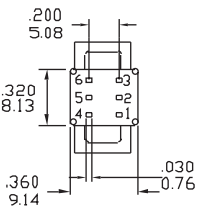
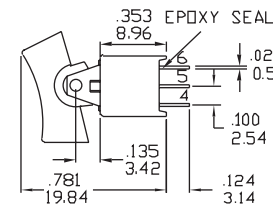
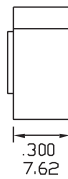
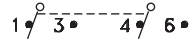


Model No.	Switching Position		
WMDP1	ON	NONE	ON
WMDP2	ON	NONE	(ON)
WMDP3	ON	OFF	ON
WMDP4	(ON)	OFF	(ON)
WMDP5	ON	OFF	(ON)
Term. Comm.	2-3, 5-6	OPEN	2-1, 5-4

Schematic

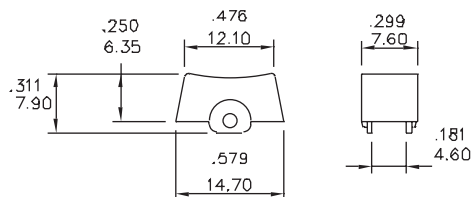
() = Momentary

02Comm. 05Comm.

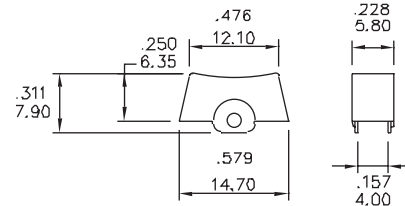


ACTUATOR OPTIONS In inches (and millimeters)

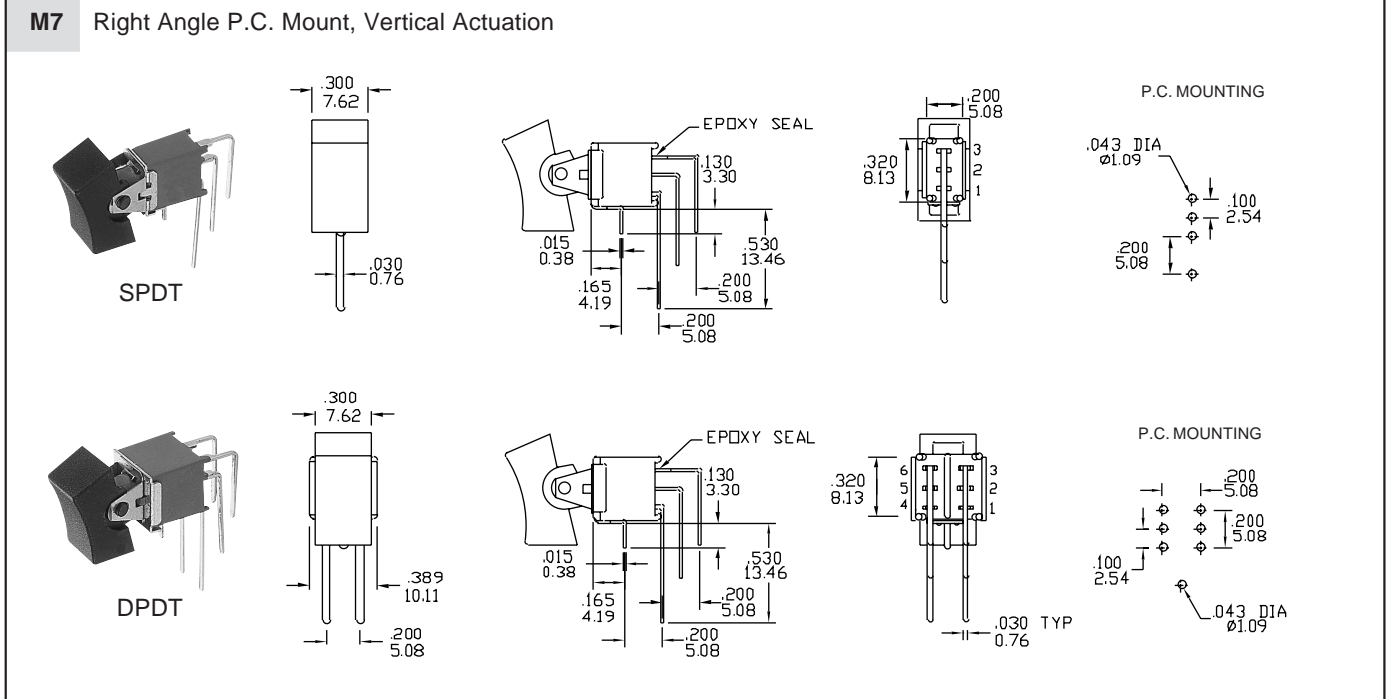
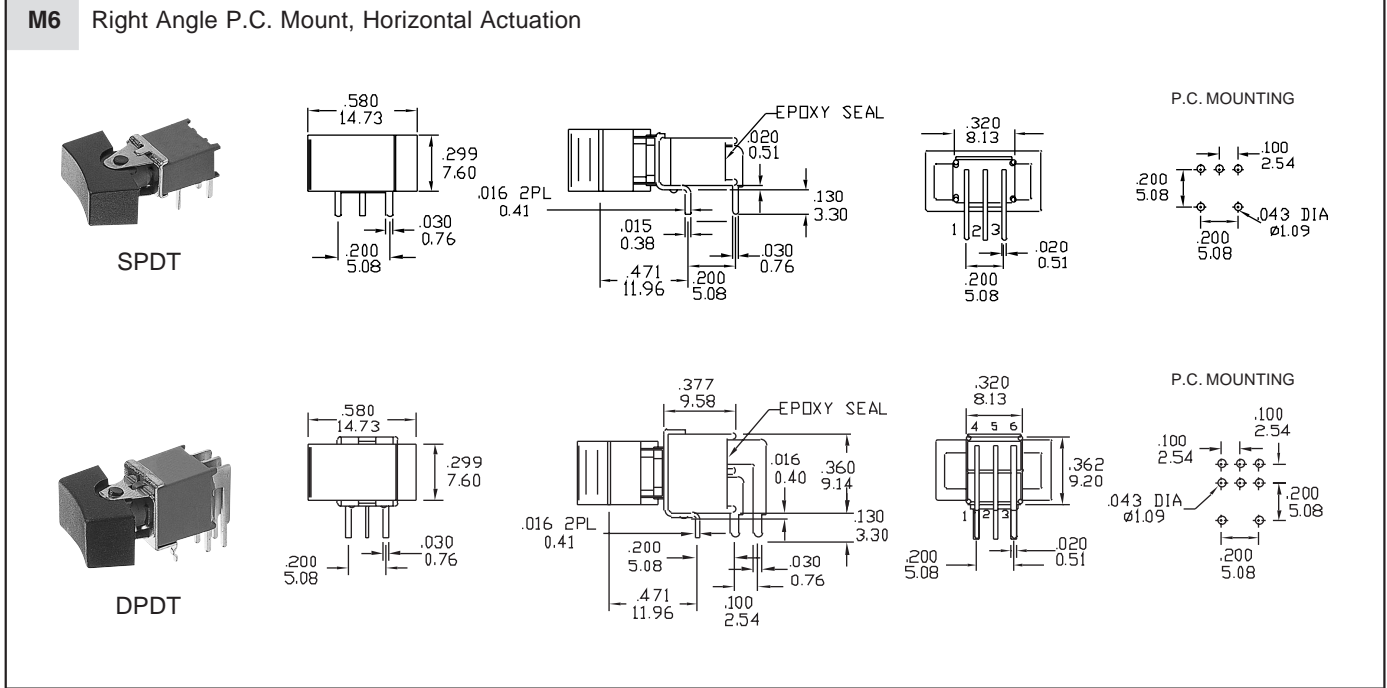
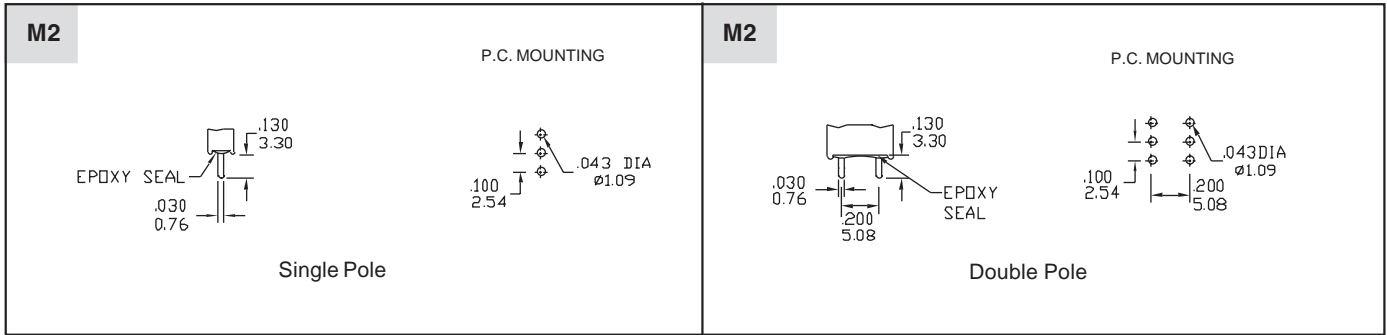
R1



R2



TERMINATION OPTIONS In inches (and millimeters)



TERMINATION OPTIONS In inches (and millimeters)

V2 Verical Bracket P.C. Mount

SPDT

P.C. MOUNTING

DPDT

P.C. MOUNTING

SPECIFICATIONS

RATINGS

Contact Rating: Q option- 3A with resistive load @125 VAC or 28 VDC; 1.5A with resistive load @ 250 VAC. R option- 0.4VA max @ 20 Vmax (AC or DC)
Electrical Life: 30,000 make-and-break cycles at full load

Contact Resistance: 20 milliohms max. initial @ 2-4 VDC, 100 mA
Insulation Resistance: 1,000 megaohms minimum
Dielectric Resistance: 1,500 V RMS @ sea level
Operating Temperature: -30°C to 85°C

MATERIALS

Case and Bushings: Glass-filled nylon 6/6 , flame retardant, heat stabilized (UL94V-0)
Actuator: Nylon, black standard. Internal o-ring seal standard with all actuators.
Switch Support: Brass, tin-plated
Contacts & Terminals: Copper alloy, gold plate over nickel plate
Terminal Seal: Epoxy

ORDERING INFORMATION

SERIES	MODEL NO.	ACTUATOR	TERMINATION	CONTACT	SEAL
47D	WMSP1	R2	M6	R	E
47C = Sealed Sub-Miniature Rocker Switches	Options: WMSP1, WMSP2, WMSP3, WMSP4, WMSP5, WMDP1, WMDP2, WMDP3, WMDP4, WMDP5 (see models for switching positions)	Options: R1, R2 (see actuator options)	Options: M2, M6, M7, V2 (see termination options)	R = Copper alloy, gold plate over nickel plate. Q = End terminal contact surface: coin silver Center terminal contact surface: copper alloy, silver plated	E = Epoxy seal

Example Part Number: 47DWSP1R2M6RE

Available from your local Grayhill Component Distributor. For prices and discounts, contact a local Sales Office, an authorized local Distributor In Beijing, CHINA, Phone:(010)6858-5001, Fax:(010)6851-9889 Homepage: <http://www.hmcs.com.cn>.