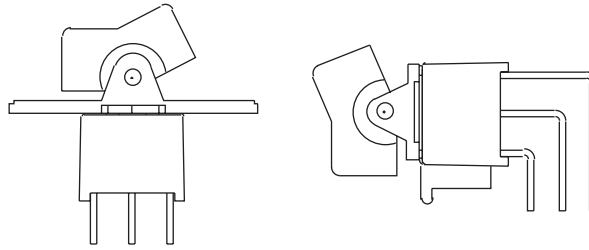


## SERIES 47B Sealed Miniature Rocker and Paddle Switches

### FEATURES

- Save Space and Weight
- SPDT, DPDT and 3PDT Circuitry
- Choice of Actuators and Terminations



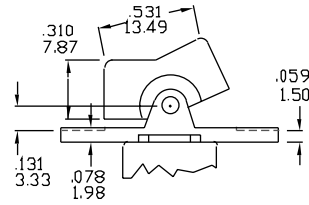
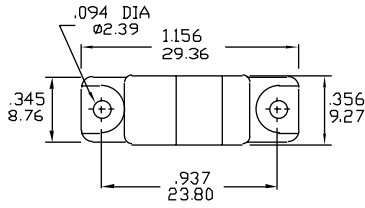
### MODELS In inches (and millimeters)

SPDT																																
	<table border="1"> <thead> <tr> <th>Model No.</th> <th colspan="3">Switching Position</th> </tr> <tr> <td>WSP1</td> <td>ON</td> <td>NONE</td> <td>ON</td> </tr> <tr> <td>WSP2</td> <td>ON</td> <td>NONE</td> <td>(ON)</td> </tr> <tr> <td>WSP3</td> <td>ON</td> <td>OFF</td> <td>ON</td> </tr> <tr> <td>WSP4</td> <td>(ON)</td> <td>OFF</td> <td>(ON)</td> </tr> <tr> <td>WSP5</td> <td>ON</td> <td>OFF</td> <td>(ON)</td> </tr> <tr> <td>Term. Comm.</td> <td>2-3</td> <td>OPEN</td> <td>2-1</td> </tr> </thead> </table> <p>Schematic <span style="margin-left: 100px;">()</span> = Momentary  <b>02Comm.</b>  </p>	Model No.	Switching Position			WSP1	ON	NONE	ON	WSP2	ON	NONE	(ON)	WSP3	ON	OFF	ON	WSP4	(ON)	OFF	(ON)	WSP5	ON	OFF	(ON)	Term. Comm.	2-3	OPEN	2-1			
Model No.	Switching Position																															
WSP1	ON	NONE	ON																													
WSP2	ON	NONE	(ON)																													
WSP3	ON	OFF	ON																													
WSP4	(ON)	OFF	(ON)																													
WSP5	ON	OFF	(ON)																													
Term. Comm.	2-3	OPEN	2-1																													
<h3>DPDT</h3> <table border="1"> <thead> <tr> <th>Model No.</th> <th colspan="3">Switching Position</th> </tr> <tr> <td>WDP1</td> <td>ON</td> <td>NONE</td> <td>ON</td> </tr> <tr> <td>WDP2</td> <td>ON</td> <td>NONE</td> <td>(ON)</td> </tr> <tr> <td>WDP3</td> <td>ON</td> <td>OFF</td> <td>ON</td> </tr> <tr> <td>WDP4</td> <td>(ON)</td> <td>OFF</td> <td>(ON)</td> </tr> <tr> <td>WDP5</td> <td>ON</td> <td>OFF</td> <td>(ON)</td> </tr> <tr> <td>Term. Comm.</td> <td>2-3, 5-6</td> <td>OPEN</td> <td>2-1, 5-4</td> </tr> </thead> </table> <p>Schematic <span style="margin-left: 100px;">()</span> = Momentary  <b>02Comm. 05Comm.</b>  </p>		Model No.	Switching Position			WDP1	ON	NONE	ON	WDP2	ON	NONE	(ON)	WDP3	ON	OFF	ON	WDP4	(ON)	OFF	(ON)	WDP5	ON	OFF	(ON)	Term. Comm.	2-3, 5-6	OPEN	2-1, 5-4			
Model No.	Switching Position																															
WDP1	ON	NONE	ON																													
WDP2	ON	NONE	(ON)																													
WDP3	ON	OFF	ON																													
WDP4	(ON)	OFF	(ON)																													
WDP5	ON	OFF	(ON)																													
Term. Comm.	2-3, 5-6	OPEN	2-1, 5-4																													
<h3>3PDT</h3> <table border="1"> <thead> <tr> <th>Model No.</th> <th colspan="3">Switching Position</th> </tr> <tr> <td>W3P1</td> <td>ON</td> <td>NONE</td> <td>ON</td> </tr> <tr> <td>W3P2</td> <td>ON</td> <td>NONE</td> <td>(ON)</td> </tr> <tr> <td>W3P3</td> <td>ON</td> <td>OFF</td> <td>ON</td> </tr> <tr> <td>W3P4</td> <td>(ON)</td> <td>OFF</td> <td>(ON)</td> </tr> <tr> <td>W3P5</td> <td>ON</td> <td>OFF</td> <td>(ON)</td> </tr> <tr> <td>Term. Comm.</td> <td>2-3, 5-6</td> <td>OPEN</td> <td>2-1, 5-4</td> </tr> </thead> </table> <p>Schematic <span style="margin-left: 100px;">()</span> = Momentary  <b>02Comm, 05Comm.</b>  </p>		Model No.	Switching Position			W3P1	ON	NONE	ON	W3P2	ON	NONE	(ON)	W3P3	ON	OFF	ON	W3P4	(ON)	OFF	(ON)	W3P5	ON	OFF	(ON)	Term. Comm.	2-3, 5-6	OPEN	2-1, 5-4			
Model No.	Switching Position																															
W3P1	ON	NONE	ON																													
W3P2	ON	NONE	(ON)																													
W3P3	ON	OFF	ON																													
W3P4	(ON)	OFF	(ON)																													
W3P5	ON	OFF	(ON)																													
Term. Comm.	2-3, 5-6	OPEN	2-1, 5-4																													

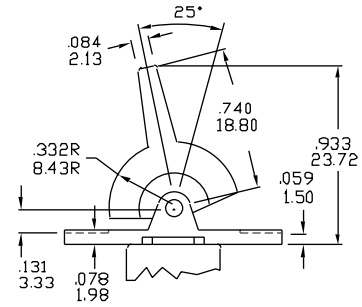
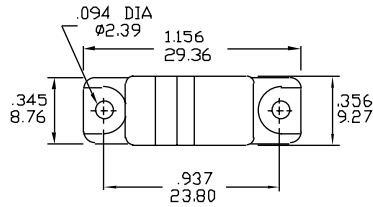
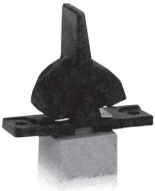
Rocker and Paddle Switches

**ACTUATOR OPTIONS** In inches (and millimeters)

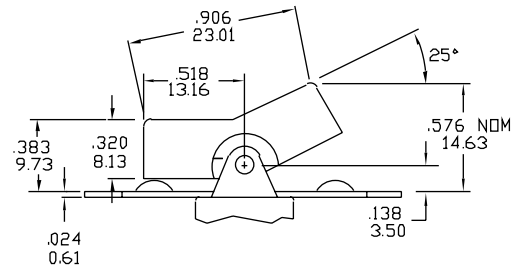
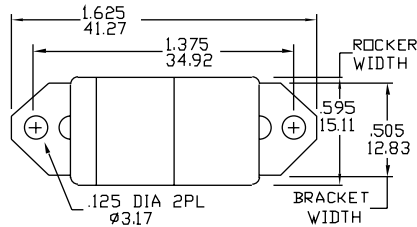
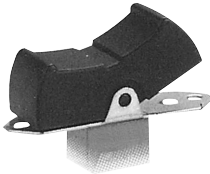
**R1**



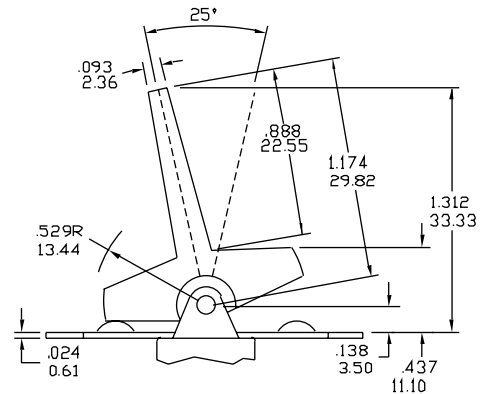
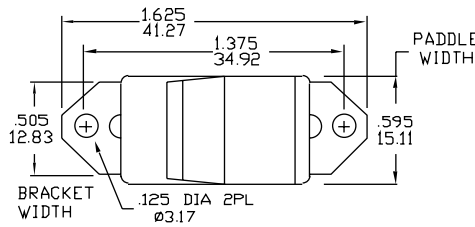
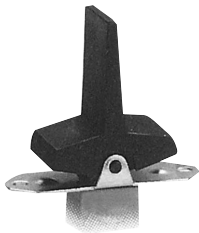
**R2**



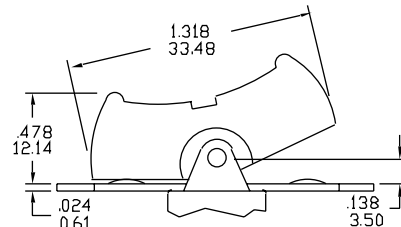
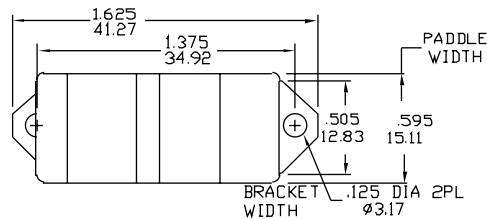
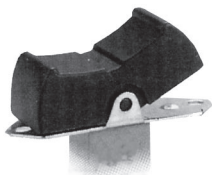
**R3**



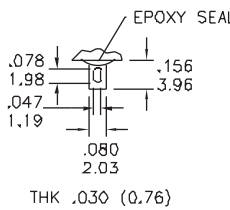
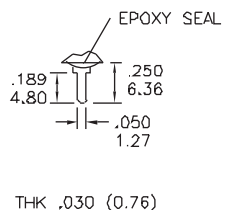
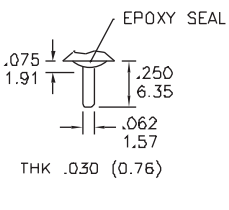
**R4**

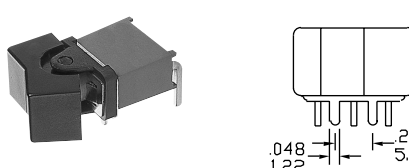
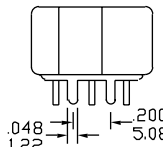
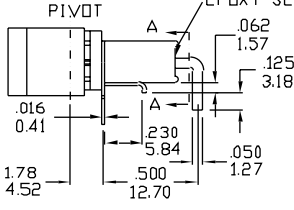
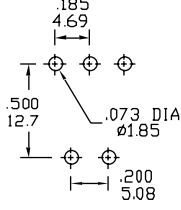
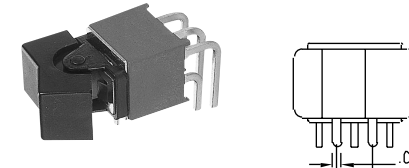
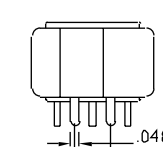
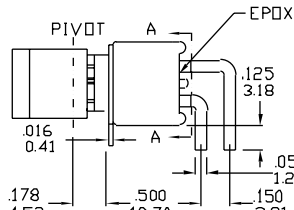
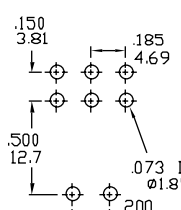
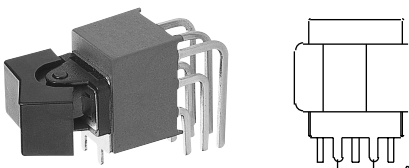
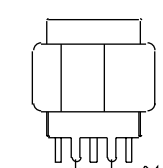
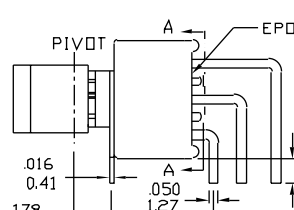
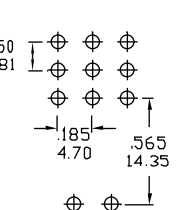


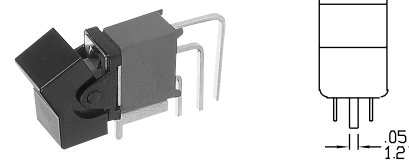
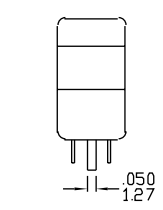
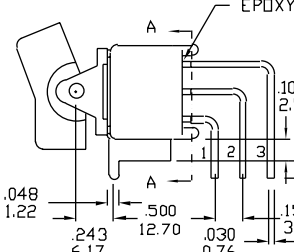
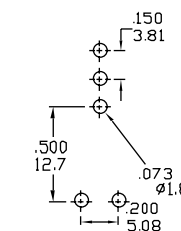
**R5**



**TERMINATION OPTIONS** In inches (and millimeters)

<p><b>M1</b> Solder Lug</p> 	<p><b>M2</b> P.C. Mount</p> 	<p><b>M3</b> P.C. Mount, Quick Connect</p> 
---	---	--

<p><b>M6</b> Right Angle P.C. Mount, Horizontal Actuation</p>			
<p><b>SPDT</b></p> 		<p>PIVOT</p> <p>A</p> <p>EPOXY SEAL</p> 	<p>P.C. MOUNTING</p> 
<p><b>DPDT</b></p> 		<p>PIVOT</p> <p>A</p> <p>EPOXY SEAL</p> 	<p>P.C. MOUNTING</p> 
<p><b>3PDT</b></p> 		<p>PIVOT</p> <p>A</p> <p>EPOXY SEAL</p> 	<p>P.C. MOUNTING</p> 

<p><b>M7</b> Right Angle P.C. Mount, Vertical Actuation</p>			
<p><b>SPDT</b></p> 		<p>A</p> <p>EPOXY SEAL</p> 	<p>P.C. MOUNTING</p> 

Rocker and Paddle Switches

**TERMINATION OPTIONS** In inches (and millimeters)

**DPDT**

**P.C. MOUNTING**

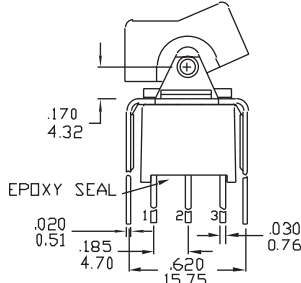
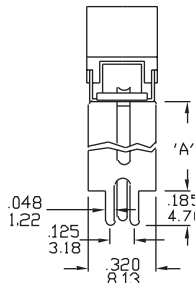
Dimensions: .190 (4.83), .050 (1.27), .048 (1.22), .243 (6.17), .500 (12.70), .030 (0.76), .150 (3.81), .100 (2.54), .125 (3.18), .014 (0.36), .450 (11.43), .500 (12.70), .150 (3.81), .190 (4.83), .500 (12.70), .073 DIA (1.85), .200 (5.08)

**3PDT**

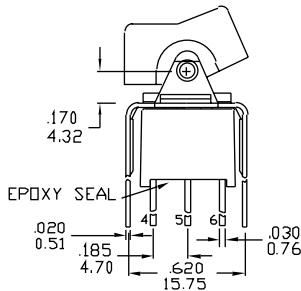
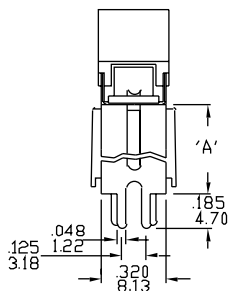
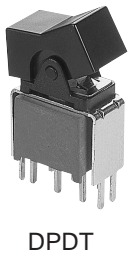
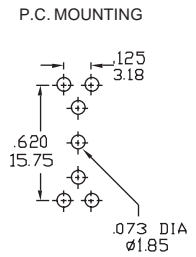
**P.C. MOUNTING**

Dimensions: .190 (4.83), .050 (1.27), .048 (1.22), .243 (6.17), .565 (14.35), .030 (0.76), .150 (3.81), .100 (2.54), .125 (3.18), .014 (0.36), .650 (16.50), .150 (3.81), .190 (4.83), .565 (14.35), .200 (5.08)

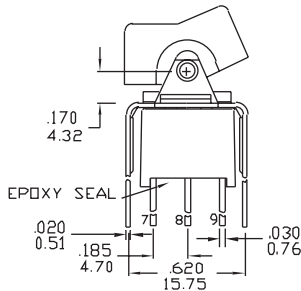
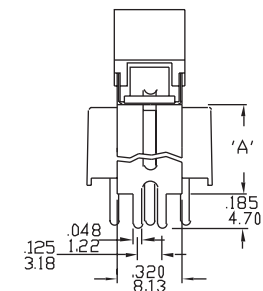
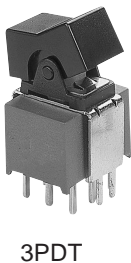
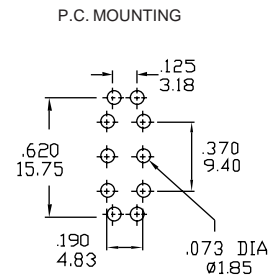
**V2-V3 Vertical Bracket P.C. Mount**



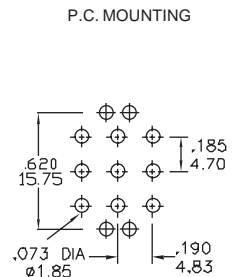
OPTION CODE	DIM. 'A'
V2	.460 (11,68)
V3	.630 (16,00)



OPTION CODE	DIM. 'A'
V2	.460 (11,68)
V3	.630 (16,00)



OPTION CODE	DIM. 'A'
V2	.460 (11,68)
V3	.630 (16,00)



**SPECIFICATIONS**

**RATINGS**

**Contact Rating:** Q option- 5A with resistive load @125 VAC or 28 VDC; 2A with resistive load @ 250 VAC. R option- 0.4VA max @ 20 Vmax (AC or DC)  
**Electrical Life:** 30,000 make-and-break cycles at full load  
**Contact Resistance:** Below 10 milliohms

max. initial @ 2-4 VDC, 100 mA  
**Insulation Resistance:** 1,000 megaohms minimum  
**Dielectric Strength:** 1,500 V RMS @ sea level  
**Operating Temperature:** -30°C to 85°C (1 hour steam aging)

**MATERIALS**

**Case and Bushing:** Glass-filled nylon 6/6 , flame retardant, heat stabilized (UL94V-0)  
**Actuator:** Nylon, black standard. Internal O-ring seal standard with all actuators.  
**Frame:** Spring steel, black (standard)  
**Switch Support:** Brass, tin-plated  
**Actuator Pivot & Mounting Bracket:** Nylon (UL 94V-0)  
**Actuator Pivot Retainer:** Stainless Steel  
**Contacts & Terminals:** Copper alloy, gold plate over nickel plate  
**Terminal Seal:** Epoxy

**ORDERING INFORMATION**

SERIES	MODEL NO.	ACTUATOR	TERMINATION	CONTACT	SEAL
47B	WSP1	R2	M6	R	E
47B = Sealed Miniature Rocker and Paddle Switches	Options: WSP1, WSP2, WSP3, WSP4, WSP5, WDP1, WDP2, WDP3, WDP4, WDP5, W3P1, W3P2, W3P3, W3P4, W3P5 (see models for switching positions)	Options: R1, R2, R3, R4, R5 (see actuator options)	Options: M1, M2, M3, M6, M7, V2, V3 (see termination options)	R = Copper alloy, gold plate over nickel plate.  Q = End terminal contact surface: coin silver Center terminal contact surface: copper alloy, silver plated	E = Epoxy seal
<b>Example Part Number:</b> 47BWSP1R2M6RE					

**Available from your local Grayhill Component Distributor.** For prices and discounts, contact a local Sales Office, an authorized local Distributor In Beijing, CHINA, Phone:(010)6858-5001, Fax: (010)6851-9889, Homepage: [Http://www.hmcs.com.cn](http://www.hmcs.com.cn)

Rocker and Paddle Switches