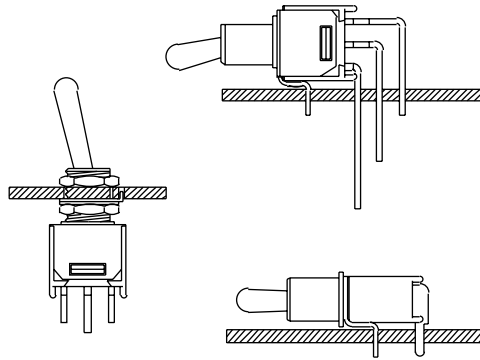


SERIES 34C Sub-Miniature Toggle Switches

FEATURES

- Save Space and Weight
- SPDT and DPDT Circuitry
- Choice of Actuators, Bushings, and Terminations
- UL Recognized



MODELS In inches (and millimeters)

SPDT



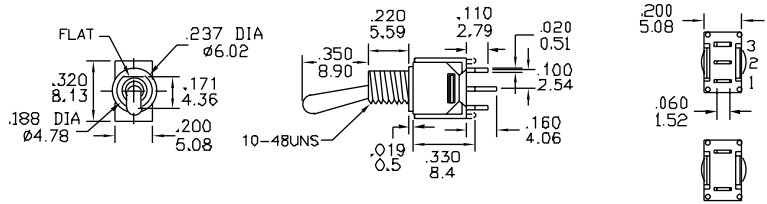
| Model No. | Switching Position | | |
|-------------|--------------------|------|------|
| | | | |
| MSP1 | ON | NONE | ON |
| MSP2 | ON | NONE | (ON) |
| MSP3 | ON | OFF | ON |
| MSP4 | (ON) | OFF | (ON) |
| MSP5 | ON | OFF | (ON) |
| Term. Comm. | 2-3 | OPEN | 2-1 |

Schematic

O2Comm.



() = Momentary



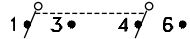
DPDT



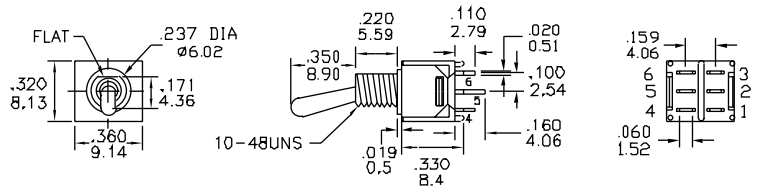
| Model No. | Switching Position | | |
|-------------|--------------------|------|----------|
| | | | |
| MDP1 | ON | NONE | ON |
| MDP2 | ON | NONE | (ON) |
| MDP3 | ON | OFF | ON |
| MDP4 | (ON) | OFF | (ON) |
| MDP5 | ON | OFF | (ON) |
| Term. Comm. | 2-3, 5-6 | OPEN | 2-1, 5-4 |

Schematic

O2Comm. O5Comm.



() = Momentary



ACTUATOR OPTIONS In inches (and millimeters)

| | | | | |
|-----------------|-----------------|-----------------|-----------------|-----------------|
| <p>1</p> | <p>2</p> | <p>3</p> | <p>4</p> | <p>5</p> |
|-----------------|-----------------|-----------------|-----------------|-----------------|

BUSHING OPTIONS In inches (and millimeters)

| | |
|--|--|
| <p>B1 Thd (Std) B2 Non-Thd</p> | <p>B3 Thd (Std) B4 Non-Thd</p> |
| <p>B5 Thd (Std) B6 Non-Thd</p> | <p>B7 Thd (Std) B8 Non-Thd</p> |

PANEL MOUNTING In inches (and millimeters)

| | | | |
|-----------------------------|--|----------------------------|--|
| <p>10-48 Bushing</p> | | <p>1/4" Bushing</p> | |
|-----------------------------|--|----------------------------|--|

TERMINATION OPTIONS In inches (and millimeters)

| | |
|---|-----------------------------|
| <p>M1 Solder Lug</p> | <p>M2 P.C. Mount</p> |
| <p>M6 Right Angle P.C. Mount, Horizontal Actuation</p> | |

TERMINATION OPTIONS In inches (and millimeters)

DPDT

Technical drawings for DPDT switch showing dimensions: 173 (4.39) FLAT, 240 DIA (6.10), 187 DIA (4.75), .036 (0.9), 200 (5.08), 190 (4.83), .577 (14.65), .362 (9.20), .02 (0.51), .134 (3.40), .016 (0.41), .152 (3.86), .200 (5.08), .034 (0.86), .320 (8.13), .02 (0.51), .360 (9.14), 200 (5.08), .043 DIA (1.09) 8PL, .200 (5.08), .100 (2.54).

P.C. MOUNTING

M7 Right Angle P.C. Mount, Vertical Actuation

SPDT

Technical drawings for SPDT switch showing dimensions: 237 DIA (6.01), 173 (4.39) FLAT, .190 (4.83), .220 (5.59), .020 (0.51), .130 (3.30), .016 (0.41), .152 (3.86), .020 (0.51), .200 (5.08), .400 (10.16), .030 (0.76), .200 (5.08), .320 (8.13), 200 (5.08).

P.C. MOUNTING

DPDT

Technical drawings for DPDT switch showing dimensions: 237 DIA (6.01), 173 (4.39) FLAT, .190 (4.83), .220 (5.59), .020 (0.51), .130 (3.30), .016 (0.41), .152 (3.86), .020 (0.51), .200 (5.08), .400 (10.16), .030 (0.76), .200 (5.08), .320 (8.13), .360 (9.14), 200 (5.08), .043 DIA (1.09) 4PL, .100 (2.54).

P.C. MOUNTING

V2-V3 Vertical Bracket P.C. Mount

SPDT

Technical drawings for SPDT switch showing dimensions: .236 DIA (6.00), .187 DIA (4.76), .190 (4.83), .220 (5.59), .355 (9.01), .130 (3.30), .030 (0.76), .200 (5.08), .363 (9.22), .016 (0.41), .100 (2.54), .400 (10.16), .020 (0.51).

P.C. MOUNTING

DPDT

Technical drawings for DPDT switch showing dimensions: .236 DIA (6.00), .187 DIA (4.76), .190 (4.83), .220 (5.59), .355 (9.01), .130 (3.30), .030 (0.76), .200 (5.08), .363 (9.22), .016 (0.41), .100 (2.54), .400 (10.16), .020 (0.51).

P.C. MOUNTING

V2

V3

.043 DIA (1.09), .100 (2.54), .400 (10.16), .200 (5.08)

Toggle Switches

SPECIFICATIONS RATINGS

Contact Rating: Q option- 3A with resistive load @ 125 VAC or 28 VDC; 1.5A with resistive load @ 250 VAC. R option- 0.4VA max @ 20 Vmax (AC or DC)
Electrical Life: 30,000 make-and-break cycles at full load

Contact Resistance: 10 milliohms max. initial @ 2-4 VDC, 100 mA
Insulation Resistance: 1,000 megaohms minimum
Dielectric Strength: 1,000 V RMS @ sea level
Operating Temperature: -30°C to 85°C

MATERIALS

Case: Diallyl phthalate (DAP) (UL 94V-0)
Toggle Handle: Brass, chrome plated
Bushing: Brass, nickel plated
Housing: Stainless steel
Terminal/Switch Support: Brass, electroplated
Terminal Seal: Epoxy

ORDERING INFORMATION

| SERIES | MODEL NO. | ACTUATOR | BUSHING | TERMINATION | CONTACT | SEAL |
|--|--|---|---|---|--|----------------|
| 34C | MSP1 | 2 | B4 | M2 | R | E |
| 34C = Sub-Miniature Toggle Switches | Options: MSP1, MSP2, MSP3, MSP4, MSP5, MDP1, MDP2, MDP3, MDP4, MDP5 (see models for switching positions) | Options: 1, 2, 3, 4, 5 (see actuator options) | Options: B1, B2, B3, B4, B5, B6, B7, B8 (see bushing options) | Options: M1, M2, M6, M7, V2, V3 (see termination options) | R = Copper alloy, gold plate over nickel plate. Q = End terminal contact surface: coin silver Center terminal contact surface: copper alloy, silver plated | E = Epoxy seal |
| Example Part Number: 34CMSP12B4M2RE | | | | | | |

Available from your local Grayhill Component Distributor. For prices and discounts, contact a local Sales Office, an authorized local Distributor In Beijing, China, Phone:(010)6858-5001, Fax: (010)6851-9889, <http://www.hmcs.com.cn>.

HARDWARE In inches (and millimeters)

| | |
|---|--|
| <p>NUT</p> <p>10-48UNS HDW21</p> | <p>LOCK WASHER</p> <p>THK (0.54) .021 HDW22</p> |
|---|--|